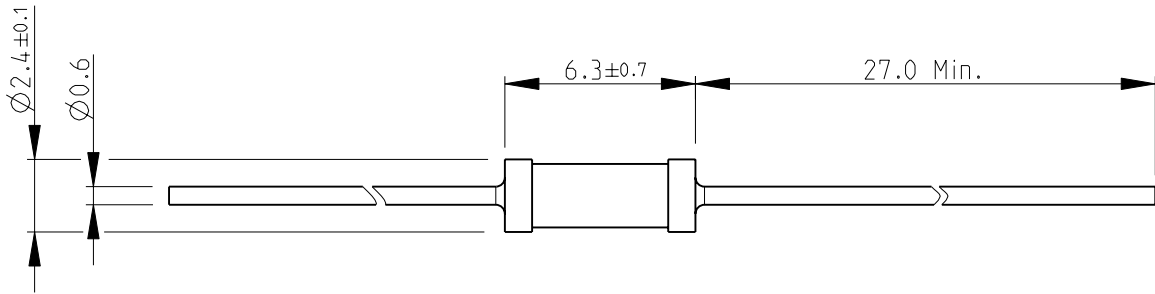
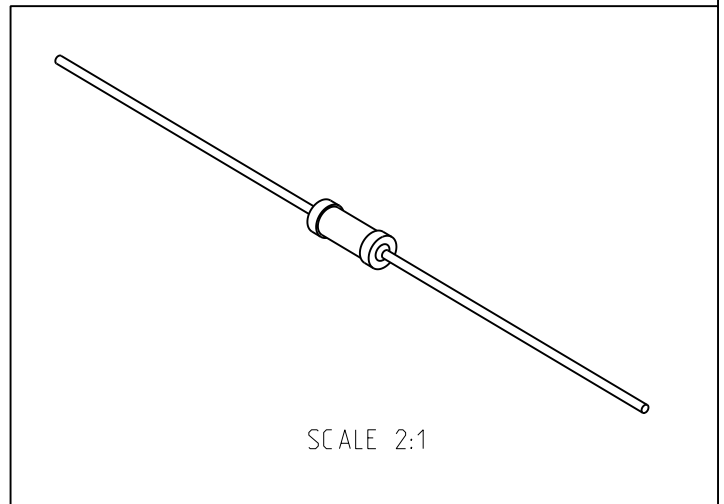


LOC	DIST	REVISIONS			
P	LTR	DESCRIPTION	DATE	DWN	APVD
E	B	A1	REVISED PER ECO-11-005150	28MAR2011	RK HMR

FOR FURTHER INFORMATION SEE DATA SHEET FOR  
CBT SERIES-CARBON COMPOSITION RESISTORS



RoHS Compliant



SCALE 2:1

2008


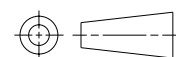
RELEASED FOR PUBLICATION

THIS DRAWING IS UNPUBLISHED.

ALL RIGHTS RESERVED.

BY -

© COPYRIGHT 2008

DIMENSIONS:		DWN	16-Sep-08	MATERIAL	-	FINISH	-
mm		SUBHASH.M		 TE Connectivity			
TOLERANCES UNLESS OTHERWISE SPECIFIED:		CHK	16-Sep-08				
0 PLC $\pm 0.2$		APVD	16-Sep-08				
1 PLC $\pm 0.1$		STEPHEN.P		NAME			
2 PLC $\pm$		PRODUCT SPEC	-	CARBON COMPOSITION RESISTORS			
3 PLC $\pm$		APPLICATION SPEC	-	SERIES CBT25			
4 PLC $\pm$				SIZE	CAGE CODE	DRAWING NO	RESTRICTED TO
ANGLES $\pm 5^\circ$				A 4	00779	C-1625875	-
		WEIGHT	-	CUSTOMER DRAWING			
				SCALE	4:1	SHEET	1 OF 1
						REV	A1